

© TAIT ELECTRONICS A1

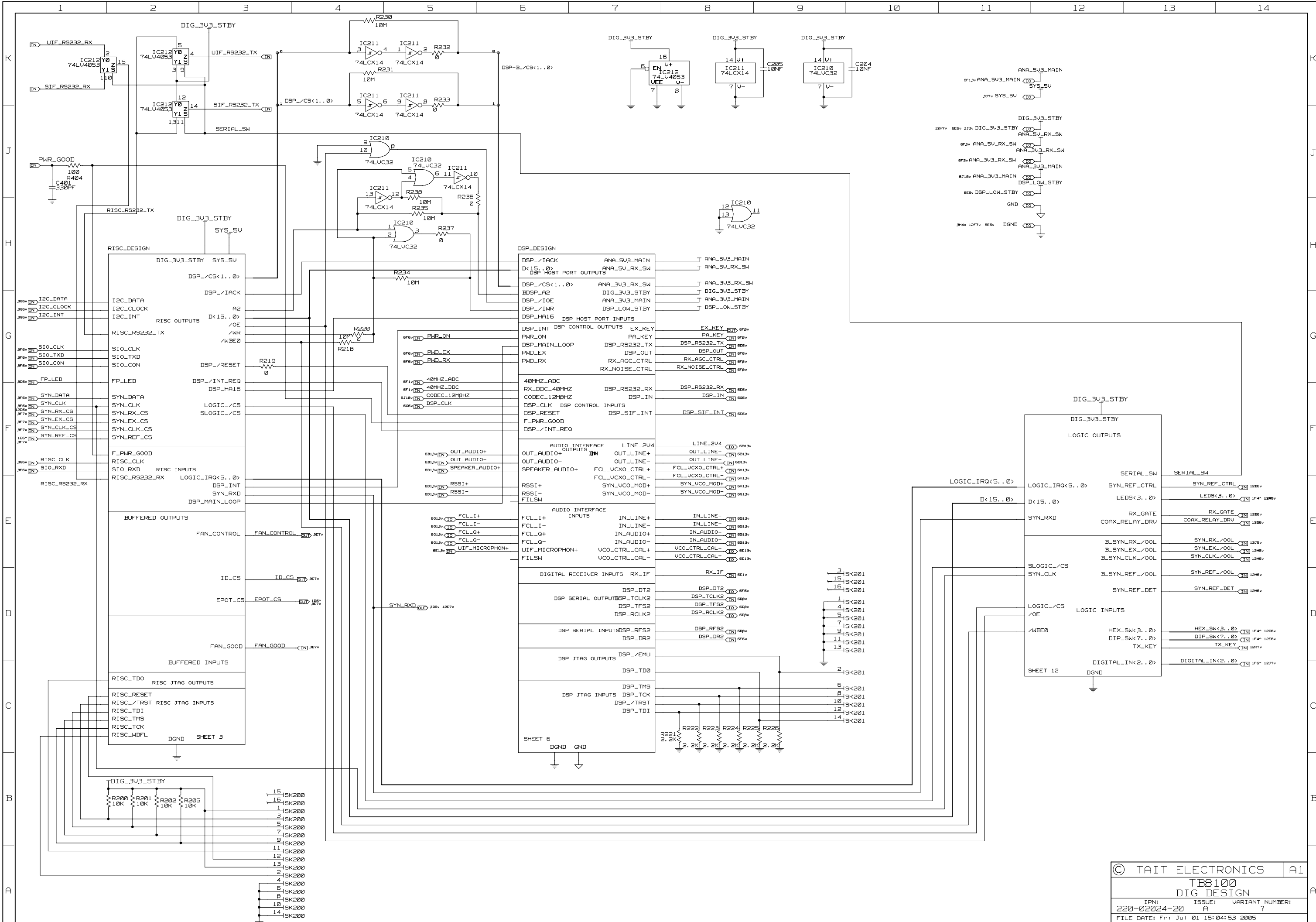
TB8100
RECITER CONTROL

IPN: 220-02024-20 ISSUE: A VARIANT NUMBER: ?

FILE DATE: Fri Jul 01 15:04:51 2005 FILE NAME: SHEET NUMBER: 1 OF 18

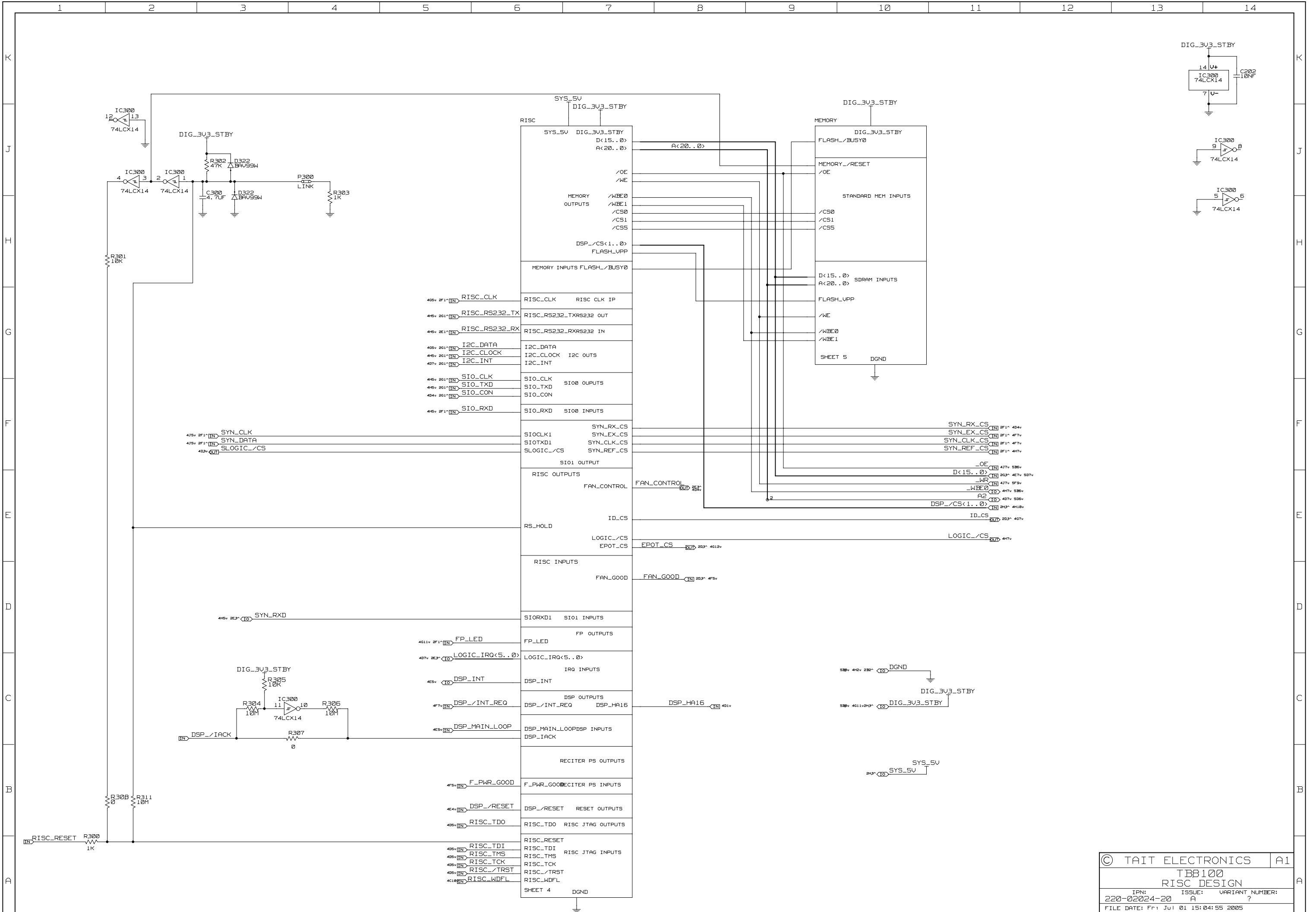
ENGINEER: SH DATE: 220_02024

20A	ECO	IC702 ADDED	CJK	SH	CJK	SH	03JUN05
REV/ISS	AMENDMENTS		DRAWN	CHKD	D.O.	APVD	DATE
1							

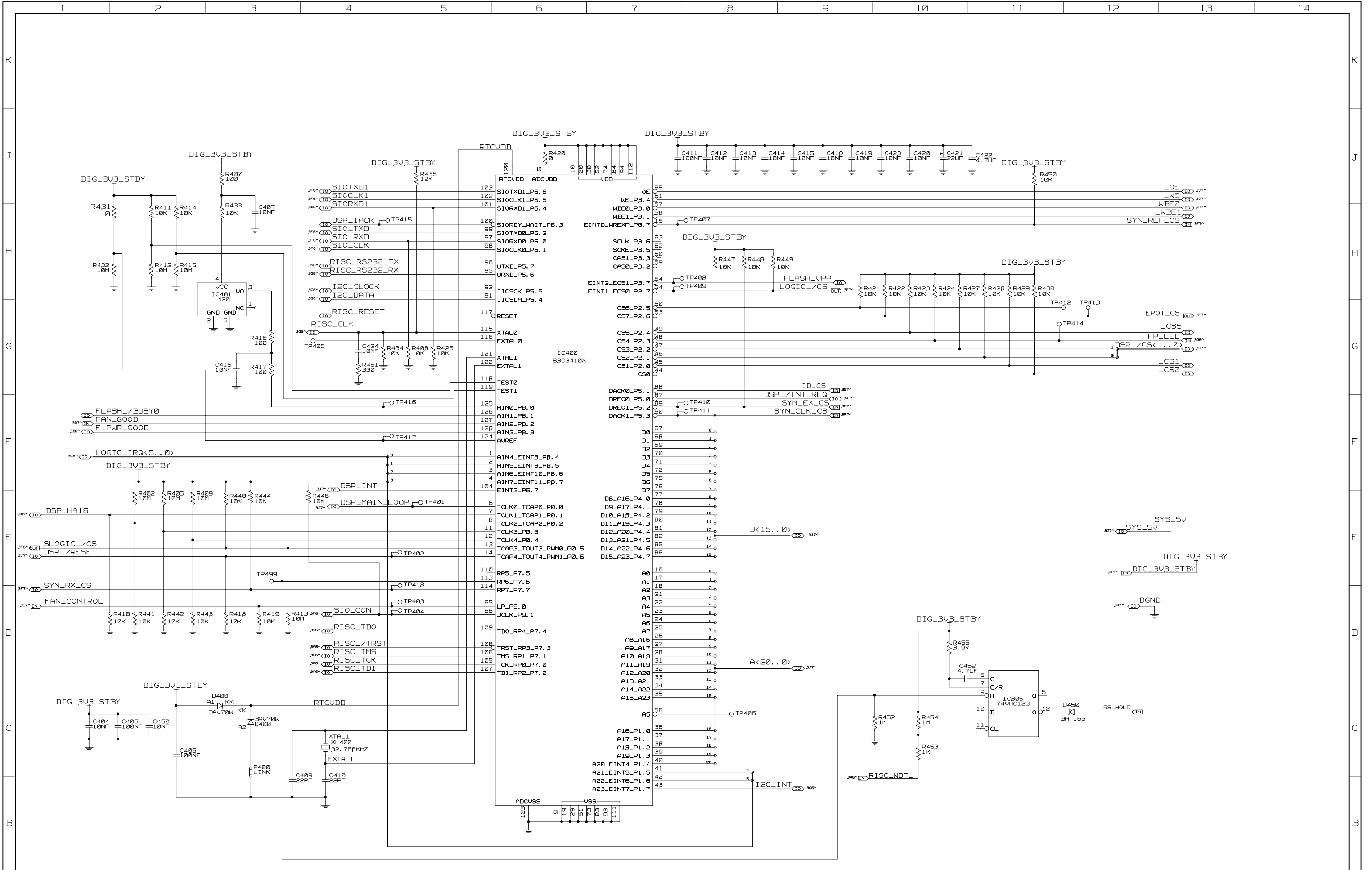


© TAIT ELECTRONICS		A1
TB8100 DIG DESIGN		
IPN: 220-02024-20	ISSUE: A	VARIANT NUMBER: ?
FILE DATE: Fri Jul 01 15:04:53 2005		
ENGINEER: SH	FILE NAME: 220_02024	SHEET NUMBER: 2 OF 18

REV/ISS	AMENDMENTS	DRAWN	CHKD	D.O.	APVD	DATE
1						

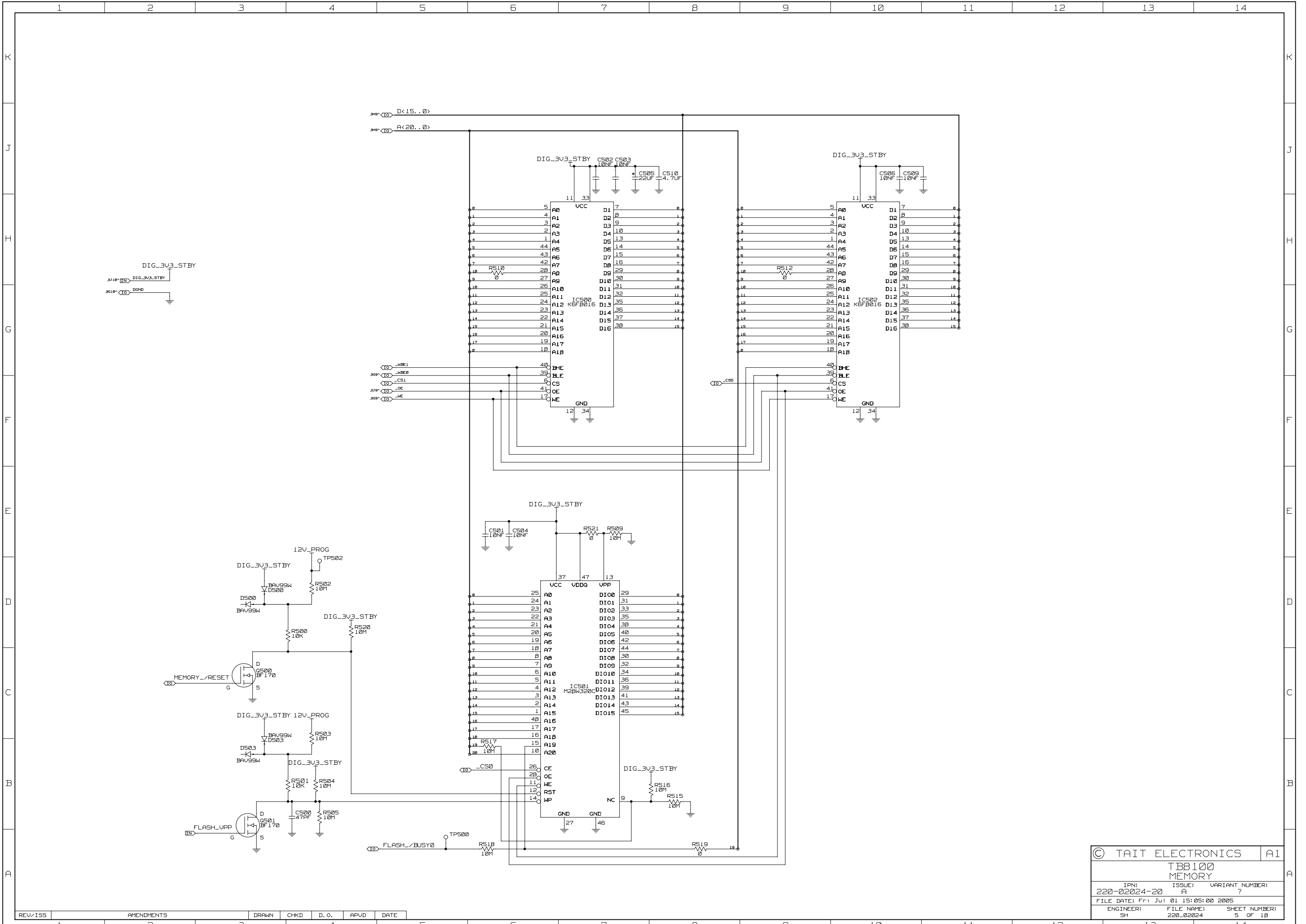


© TAIT ELECTRONICS		A1
TB8100 RISC DESIGN		
IPN: 220-02024-20	ISSUE: A	VARIANT NUMBER: ?
FILE DATE: Fri Jul 01 15:04:55 2005		
ENGINEER: SH	FILE NAME: 220_02024	SHEET NUMBER: 3 OF 18



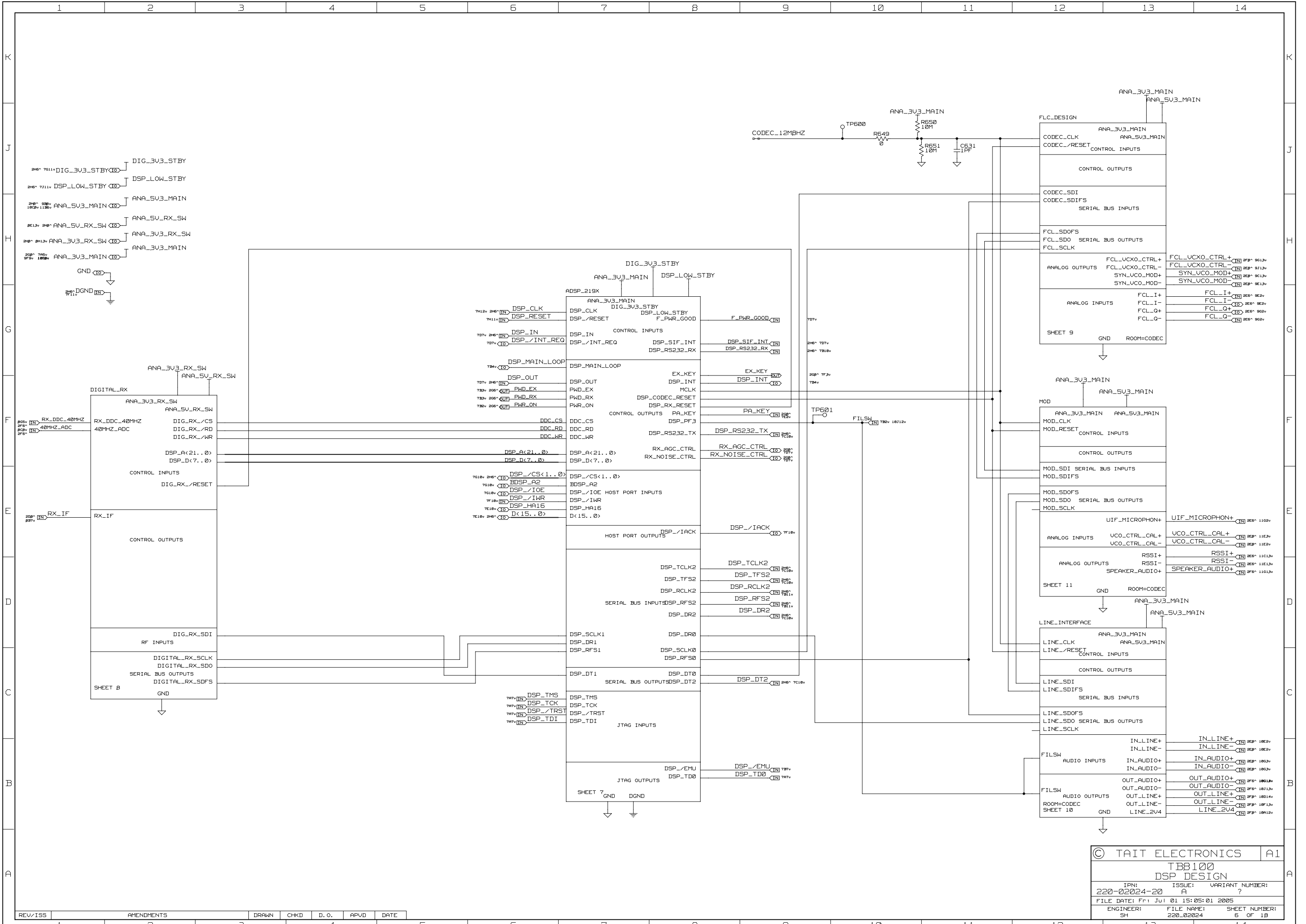
© TAIT ELECTRONICS		A1
TB8100 RISC		
IPN: 220-02024-20	ISSUE: A	VARIANT NUMBER: ?
FILE DATE: Fri Jul 01 15:04:57 2005		
ENGINEER: SH	FILE NAME: 220_02024	SHEET NUMBER: 4 OF 18

REV/ISS	AMENDMENTS	DRAWN	CHKD	D.O.	APVD	DATE
1						
2						
3						
4						



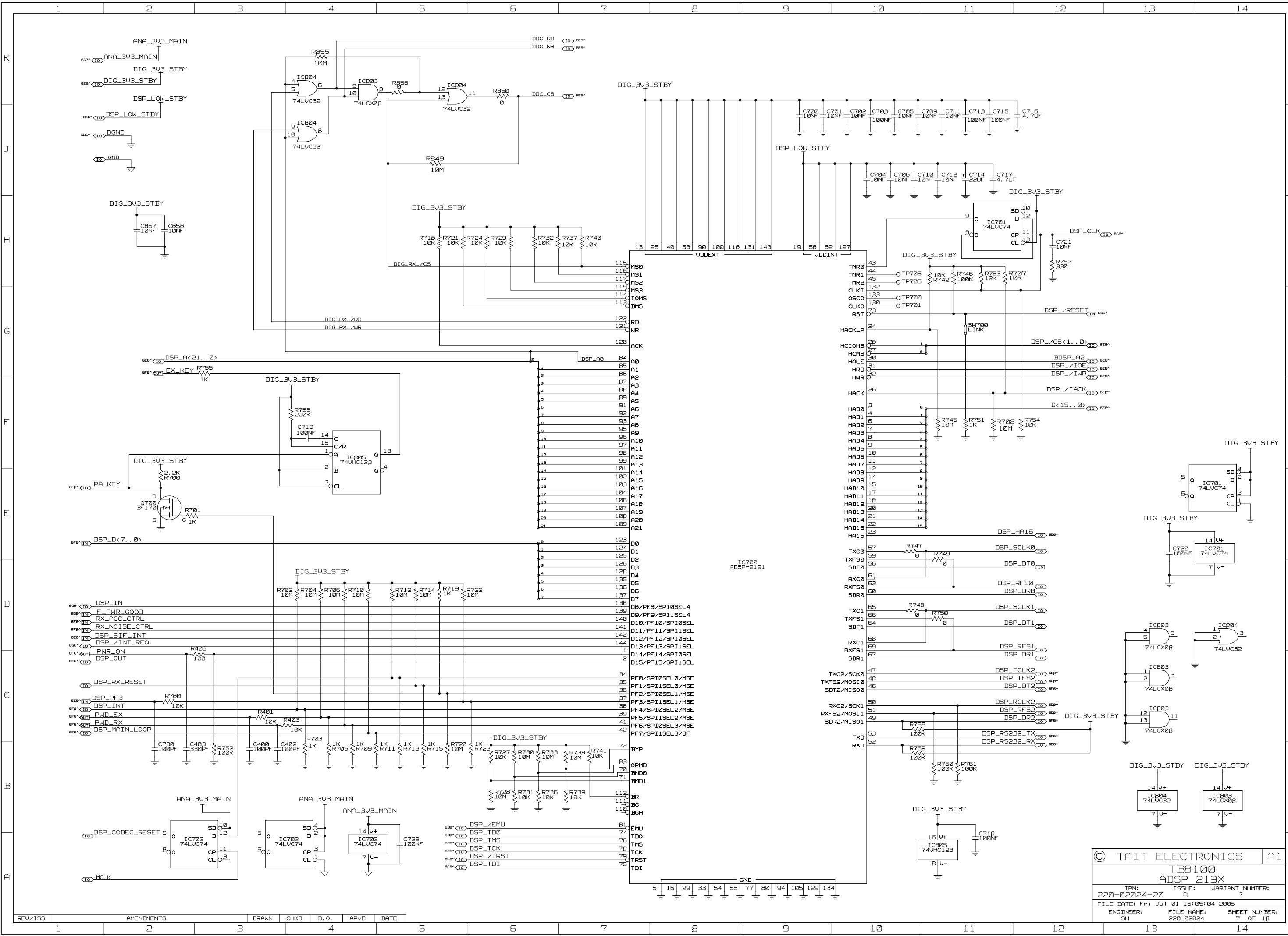
© TAIT ELECTRONICS		A1
TB8100 MEMORY		
IPN: 220-02024-20	ISSUE: A	VARIANT NUMBER: ?
FILE DATE: Fri Jul 01 15:05:00 2005		
ENGINEER: SH	FILE NAME: 220_02024	SHEET NUMBER: 5 OF 18

REV/ISS	AMENDMENTS	DRAWN	CHKD	D.O.	APVD	DATE
1						



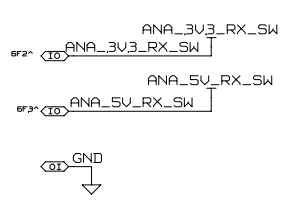
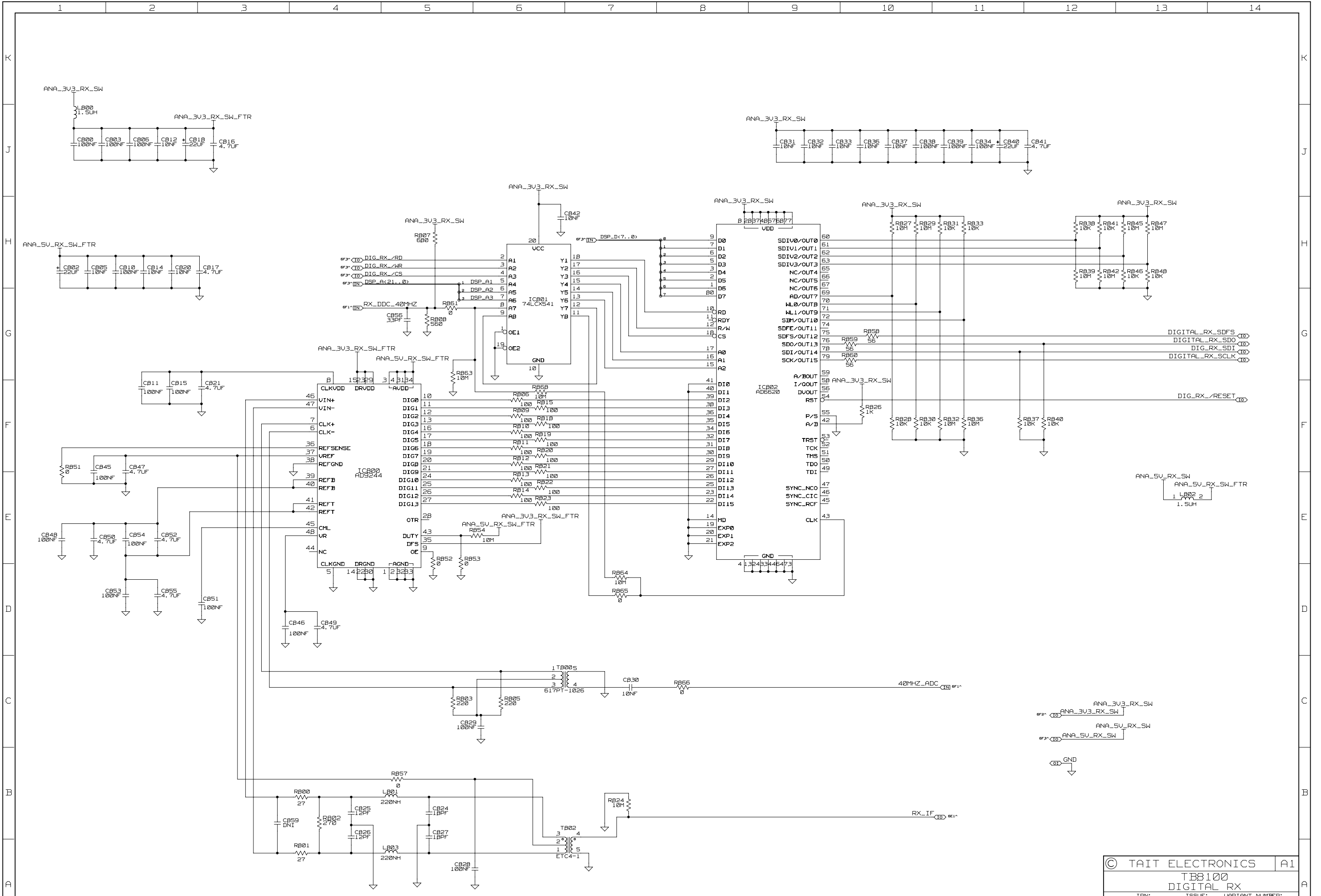
© TAIT ELECTRONICS		A1
TB8100 DSP DESIGN		
IPN:	ISSUE:	VARIANT NUMBER:
220-02024-20	A	?
FILE DATE: Fri Jul 01 15:05:01 2005		
ENGINEER:	FILE NAME:	SHEET NUMBER:
SH	220_02024	6 OF 18

REV/ISS	AMENDMENTS	DRAWN	CHKD	D.O.	APVD	DATE
1						



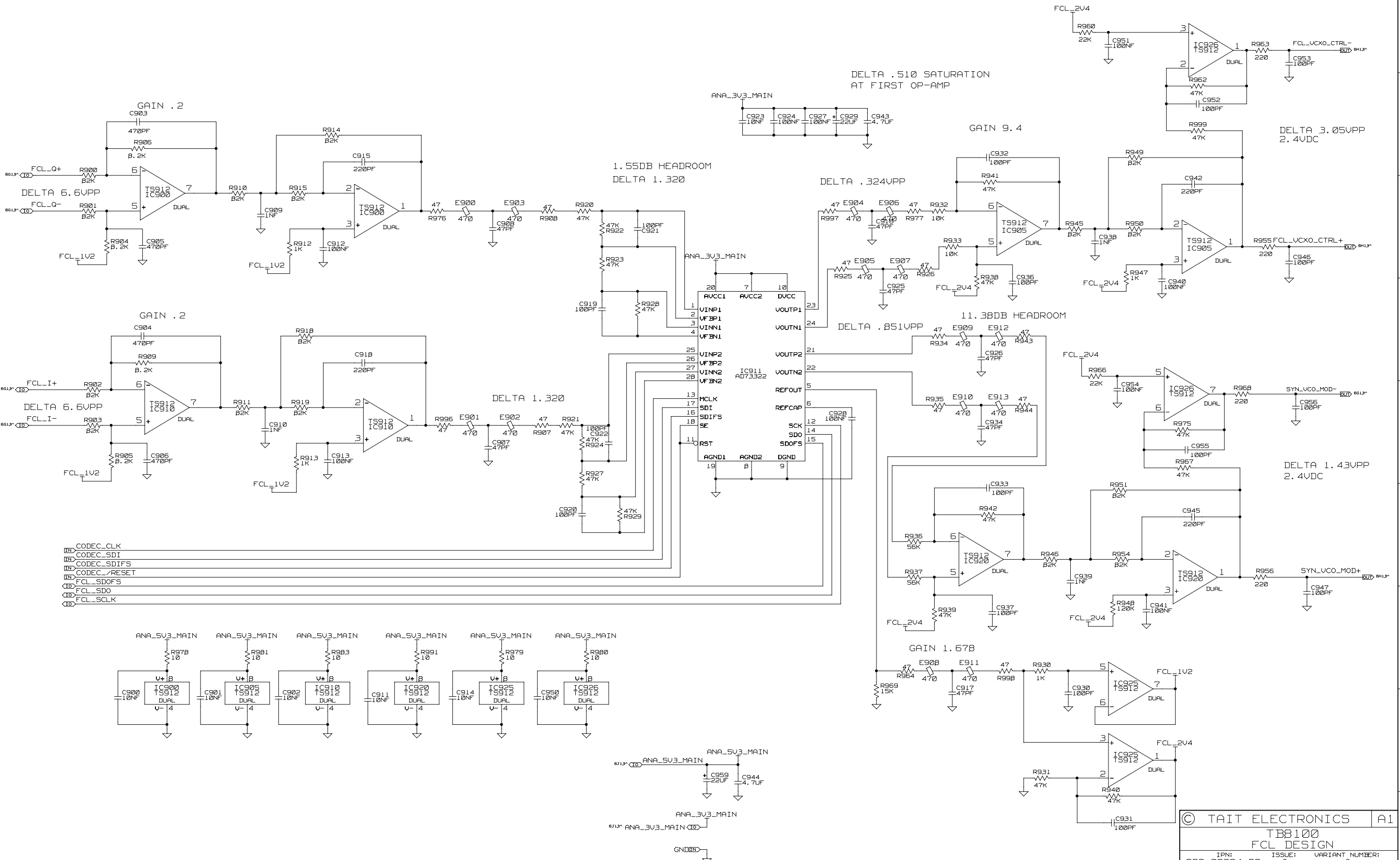
© TAIT ELECTRONICS		A1
TBB100 ADSP 219X		
IPN: 220-02024-20	ISSUE: A	VARIANT NUMBER: ?
FILE DATE: Fri Jul 01 15:05:04 2005	FILE NAME: 220_02024	SHEET NUMBER: 7 OF 18
ENGINEER: SH		

REV/ISS	AMENDMENTS	DRAWN	CHKD	D.O.	APUD	DATE
1						



© TAIT ELECTRONICS		A1
TB8100		
DIGITAL RX		
IPN:	ISSUE:	VARIANT NUMBER:
220-02024-20	A	?
FILE DATE: Fri Jul 01 15:05:05 2005	FILE NAME:	SHEET NUMBER:
ENGINEER: SH	220_02024	B OF 1B

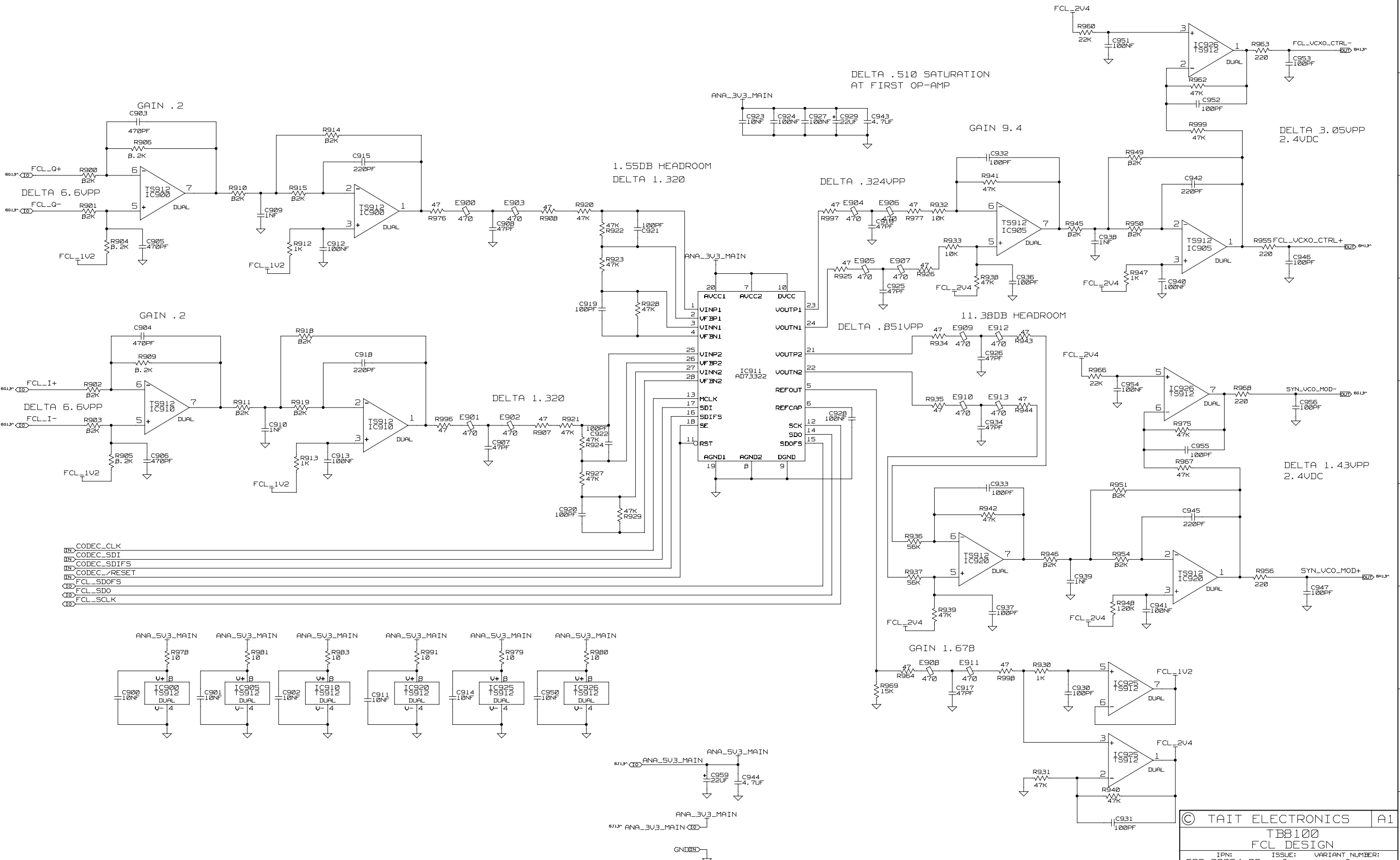
REV/ISS	AMENDMENTS	DRAWN	CHKD	D.O.	APVD	DATE
1						



- IN CODEC_CLK
- IN CODEC_SDI
- IN CODEC_SDI FS
- IN CODEC_RESET
- IN FCL_SDOFS
- IN FCL_SDO
- IN FCL_SCLK

© TAIT ELECTRONICS		A1
TB8100		
FCL DESIGN		
IPN:	ISSUE:	VARIANT NUMBER:
220-02024-20	A	?
FILE DATE: Fri Jul 01 15:05:09 2005		
ENGINEER:	FILE NAME:	SHEET NUMBER:
SH	220_02024	9 OF 18

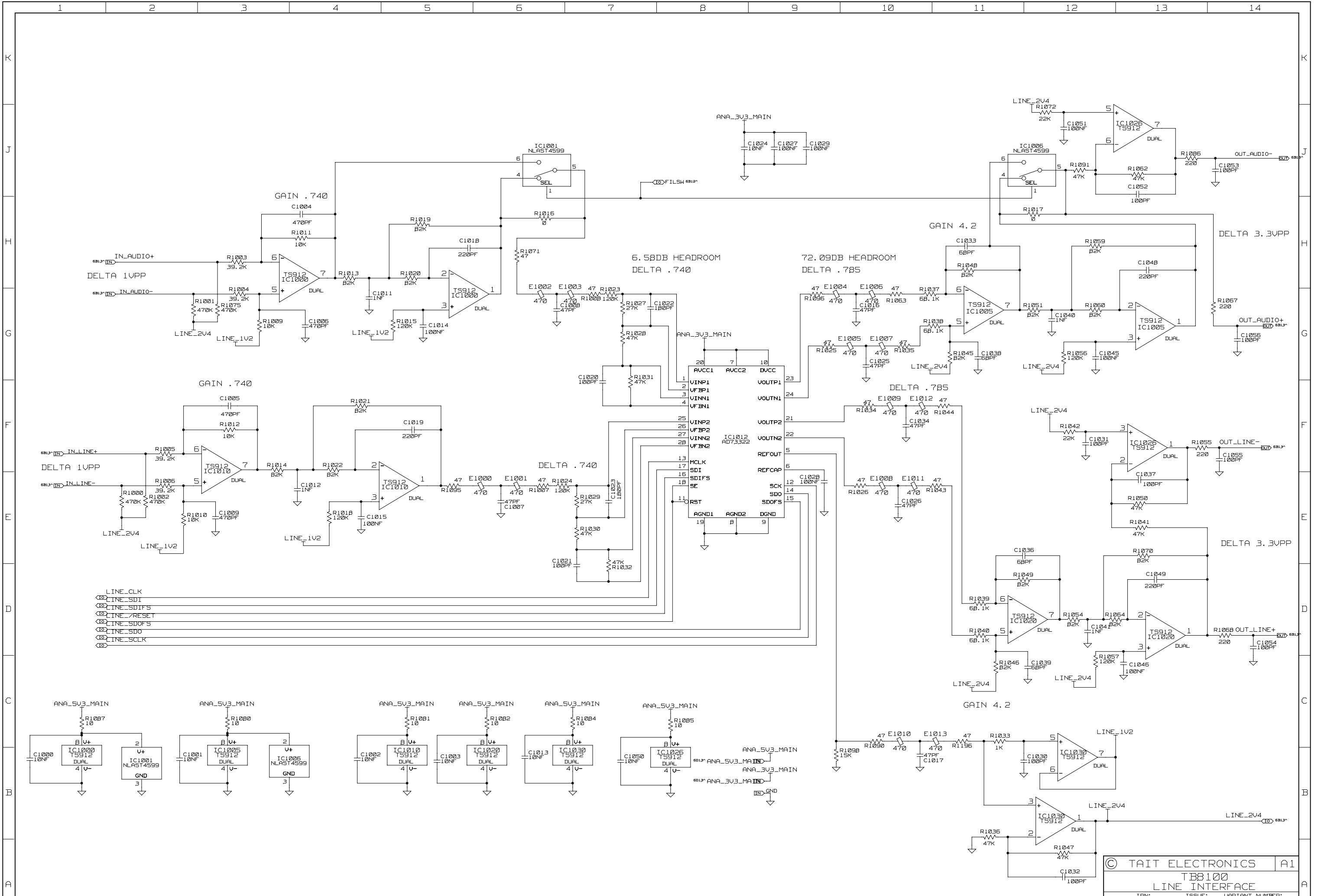
REV/ISS	AMENDMENTS	DRAWN	CHKD	D.O.	APVD	DATE
1						



- IN CODEC_CLK
- IN CODEC_SDI
- IN CODEC_SDI FS
- IN CODEC_RESET
- IN FCL_SDOFS
- IN FCL_SDO
- IN FCL_SCLK

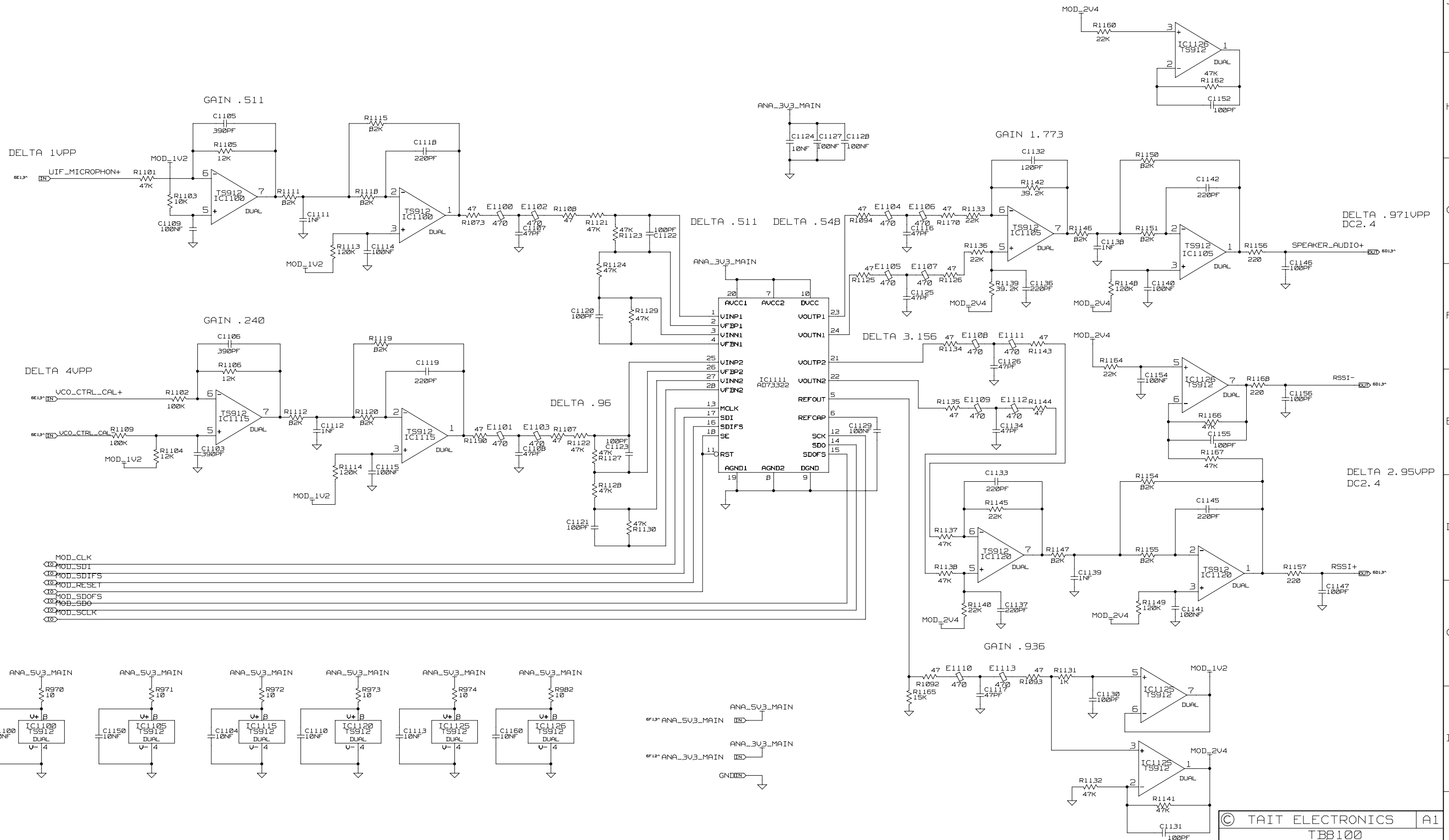
© TAIT ELECTRONICS		A1
TB8100 FCL DESIGN		
IPN: 220-02024-20	ISSUE: A	VARIANT NUMBER: ?
FILE DATE: Fri Jul 01 15:05:09 2005		
ENGINEER: SH	FILE NAME: 220_02024	SHEET NUMBER: 9 OF 18

REV/ISS	AMENDMENTS	DRAWN	CHKD	D.O.	APVD	DATE
1						



REV/ISS	AMENDMENTS	DRAWN	CHKD	D.O.	APVD	DATE
1						

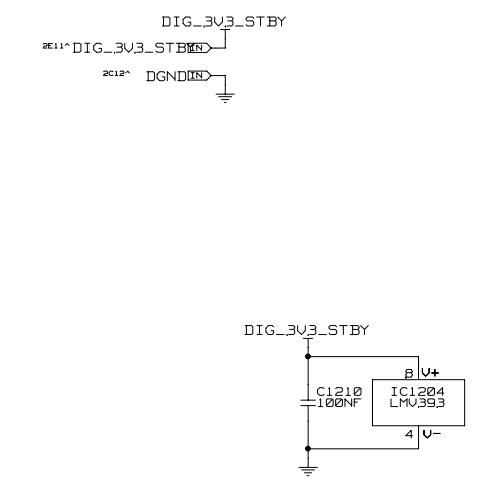
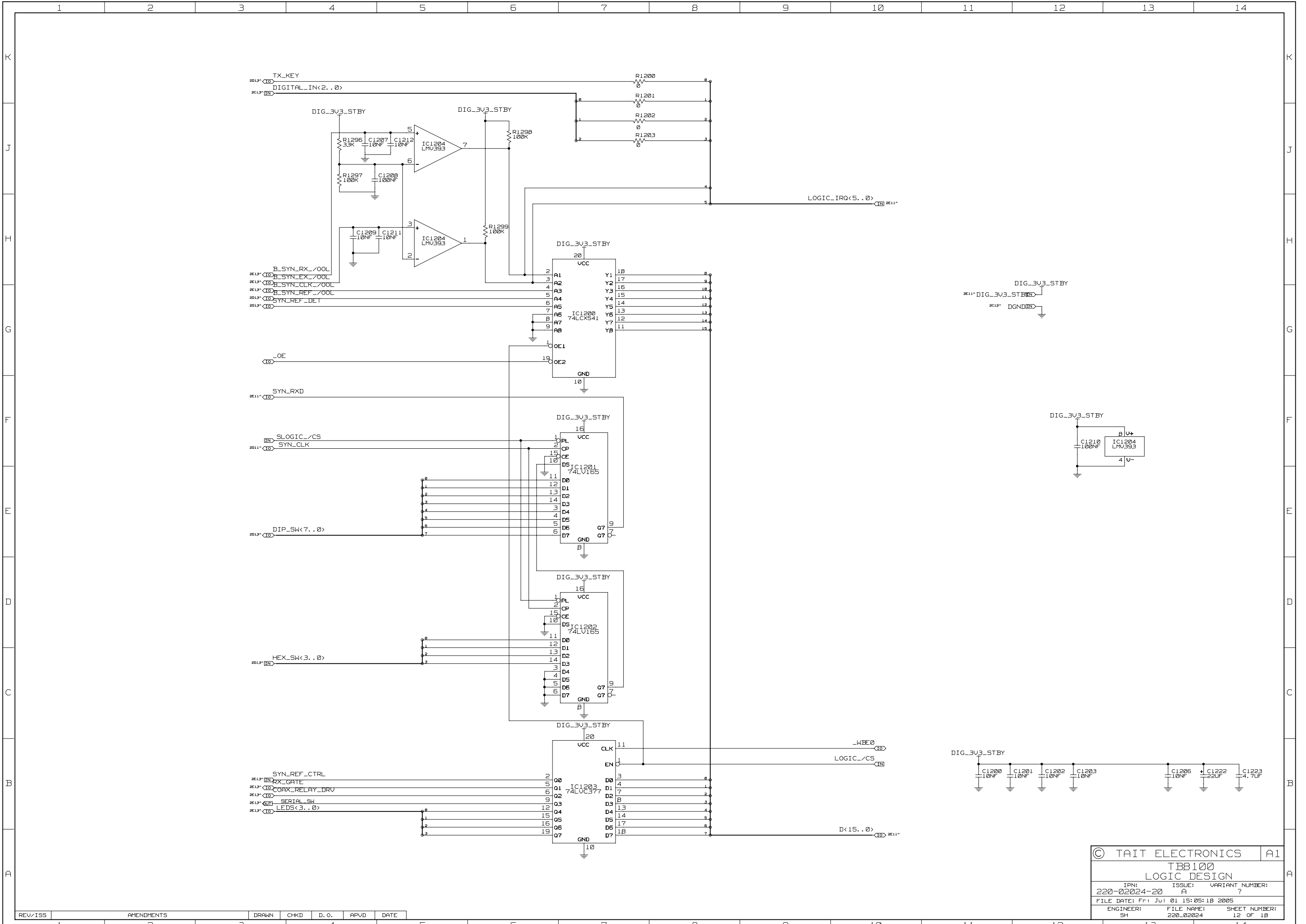
© TAIT ELECTRONICS		A1
TB8100		
LINE INTERFACE		
IPN:	ISSUE:	VARIANT NUMBER:
220-02024-20	A	?
FILE DATE: Fri Jul 01 15:05:12 2005		
ENGINEER:	FILE NAME:	SHEET NUMBER:
SH	220_02024	10 OF 18



- MOD_CLK
- MOD_SDI
- MOD_SDIFS
- MOD_RESET
- MOD_SDOFS
- MOD_SDO
- MOD_SCLK

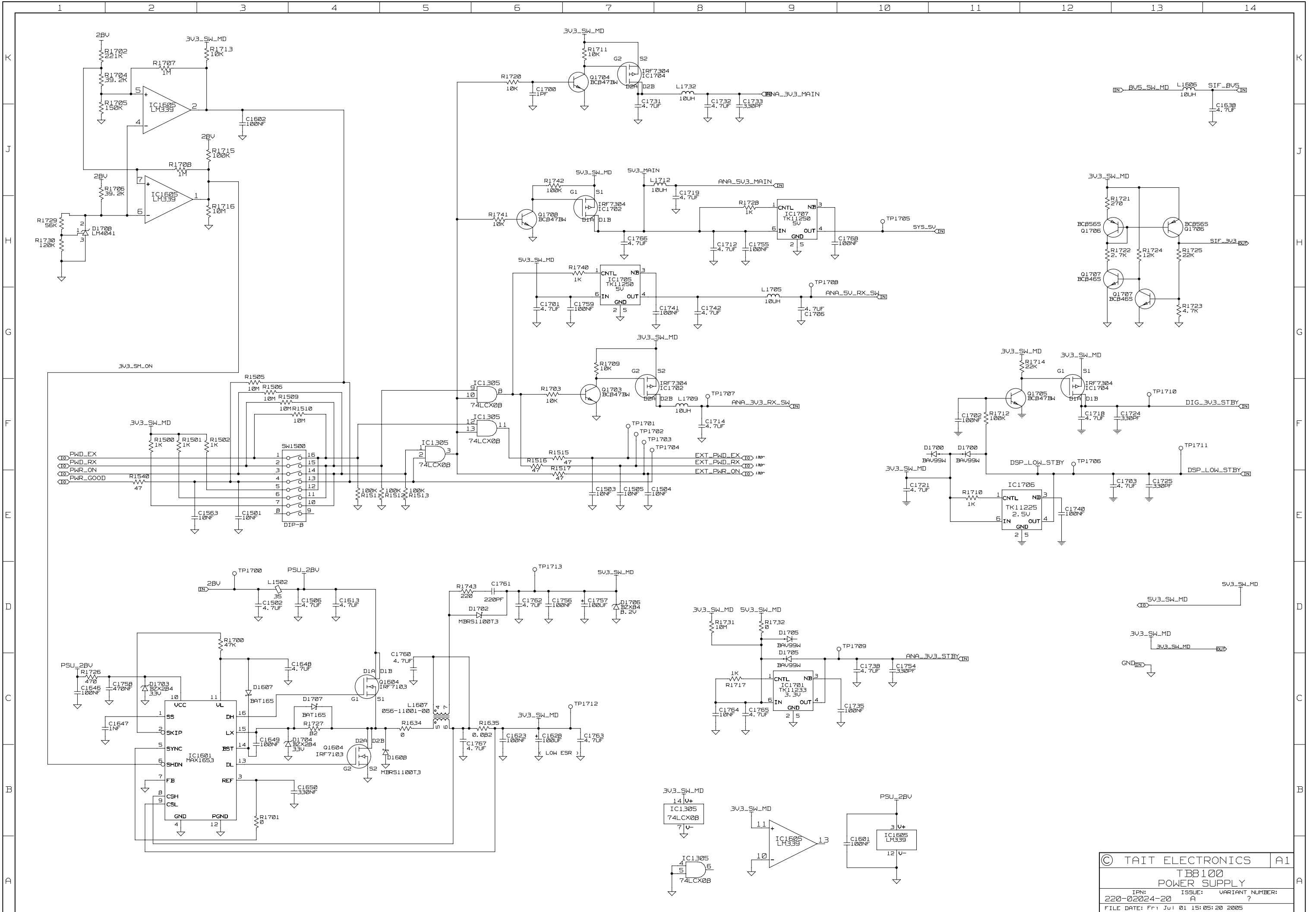
© TAIT ELECTRONICS		A1
TB8100 MOD		
IPN: 220-02024-20	ISSUE: A	VARIANT NUMBER: ?
FILE DATE: Fri Jul 01 15:05:16 2005	ENGINEER: SH	FILE NAME: 220_02024
REV/ISS	AMENDMENTS	SHEET NUMBER: 11 OF 18

REV/ISS	AMENDMENTS	DRAWN	CHKD	D.O.	APVD	DATE
1						



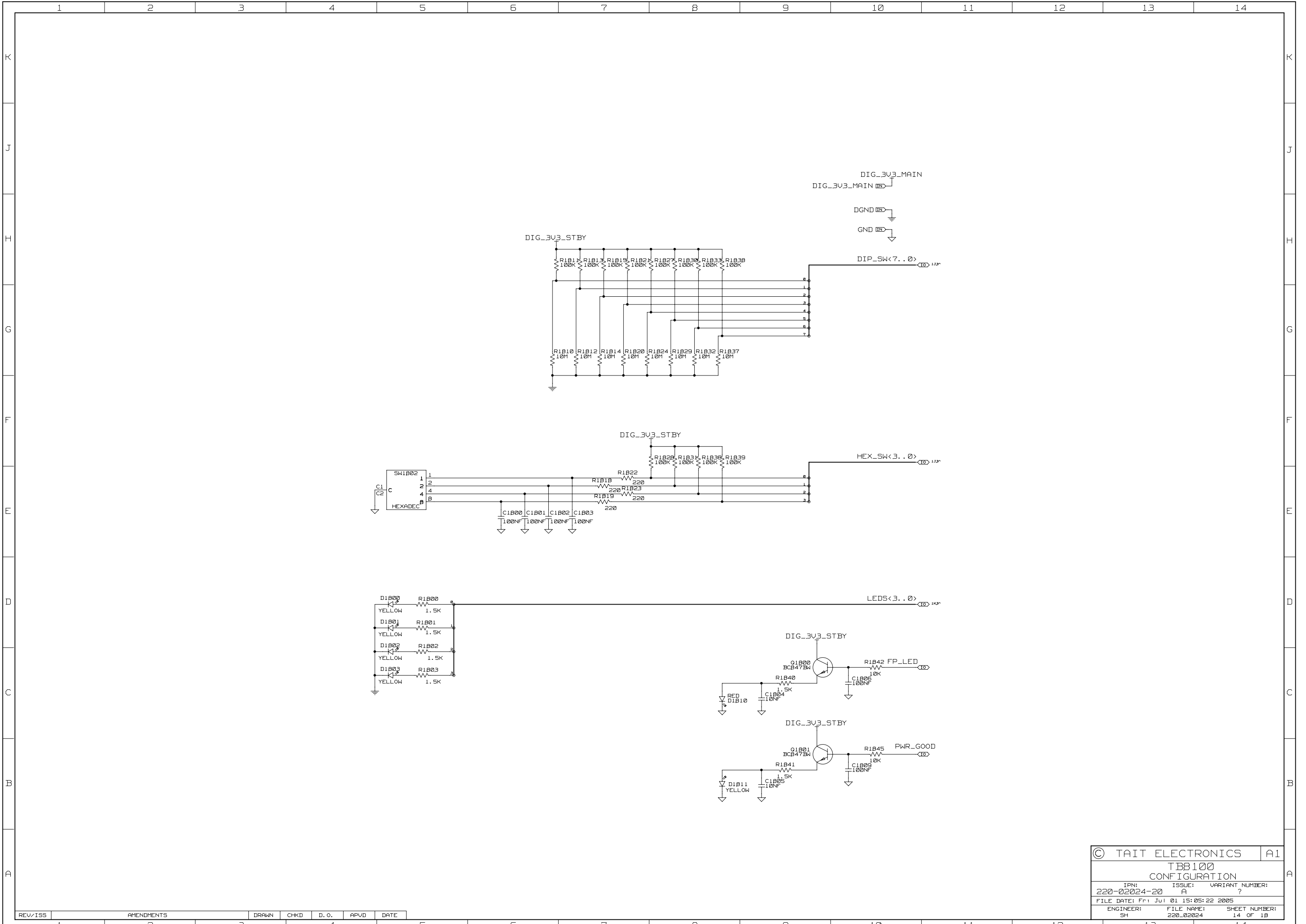
© TAIT ELECTRONICS		A1
TB8100 LOGIC DESIGN		
IPN: 220-02024-20	ISSUE: A	VARIANT NUMBER: ?
FILE DATE: Fri Jul 01 15:05:18 2005		
ENGINEER: SH	FILE NAME: 220_02024	SHEET NUMBER: 12 OF 18

REV/ISS	AMENDMENTS	DRAWN	CHKD	D.O.	APVD	DATE
1						



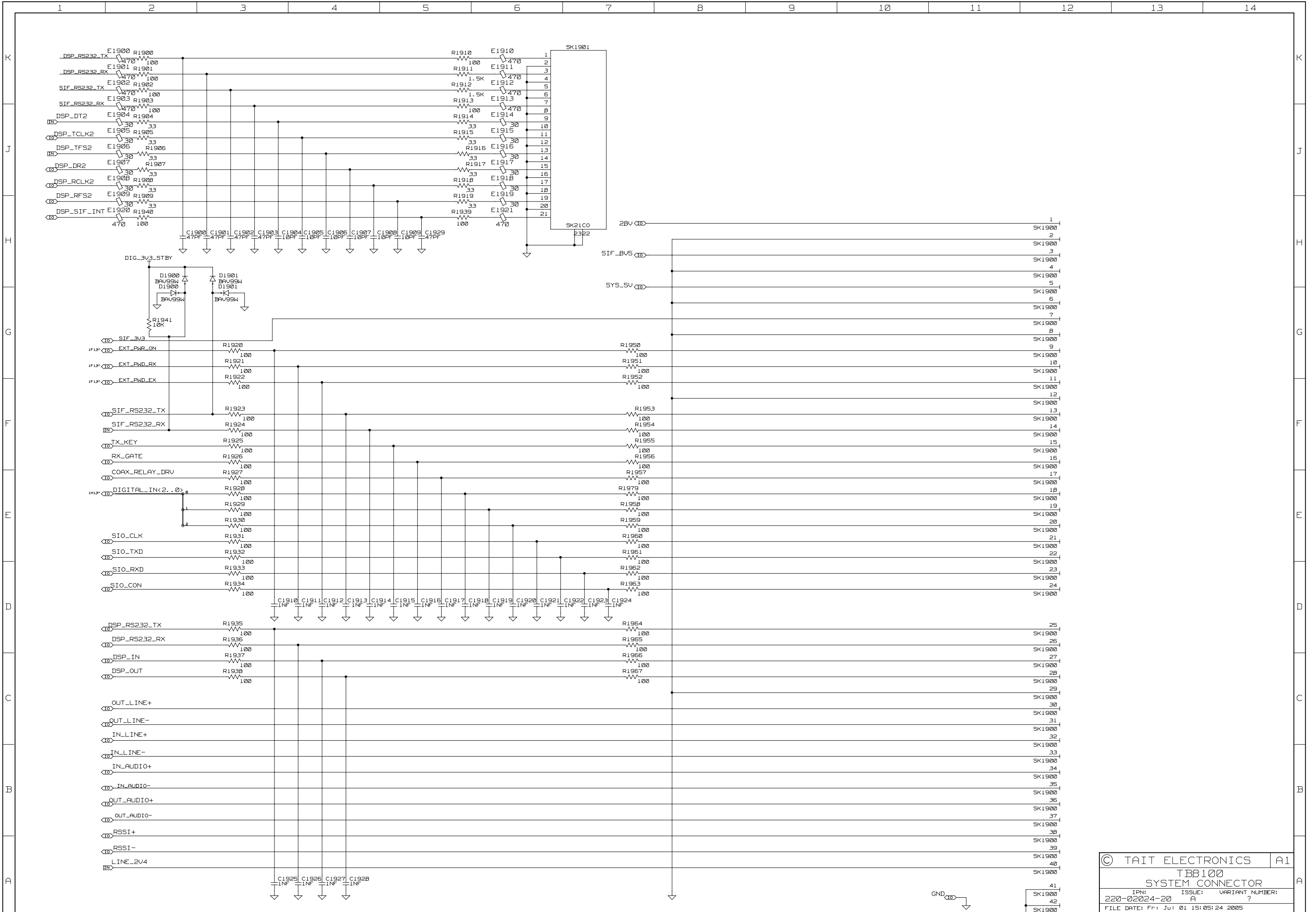
© TAIT ELECTRONICS		A1
TB8100 POWER SUPPLY		
IPN: 220-02024-20	ISSUE: A	VARIANT NUMBER: ?
FILE DATE: Fri Jul 01 15:05:20 2005		
ENGINEER: SH	FILE NAME: 220_02024	SHEET NUMBER: 13 OF 18

REV/ISS	AMENDMENTS	DRAWN	CHKD	D.O.	APVD	DATE
1						



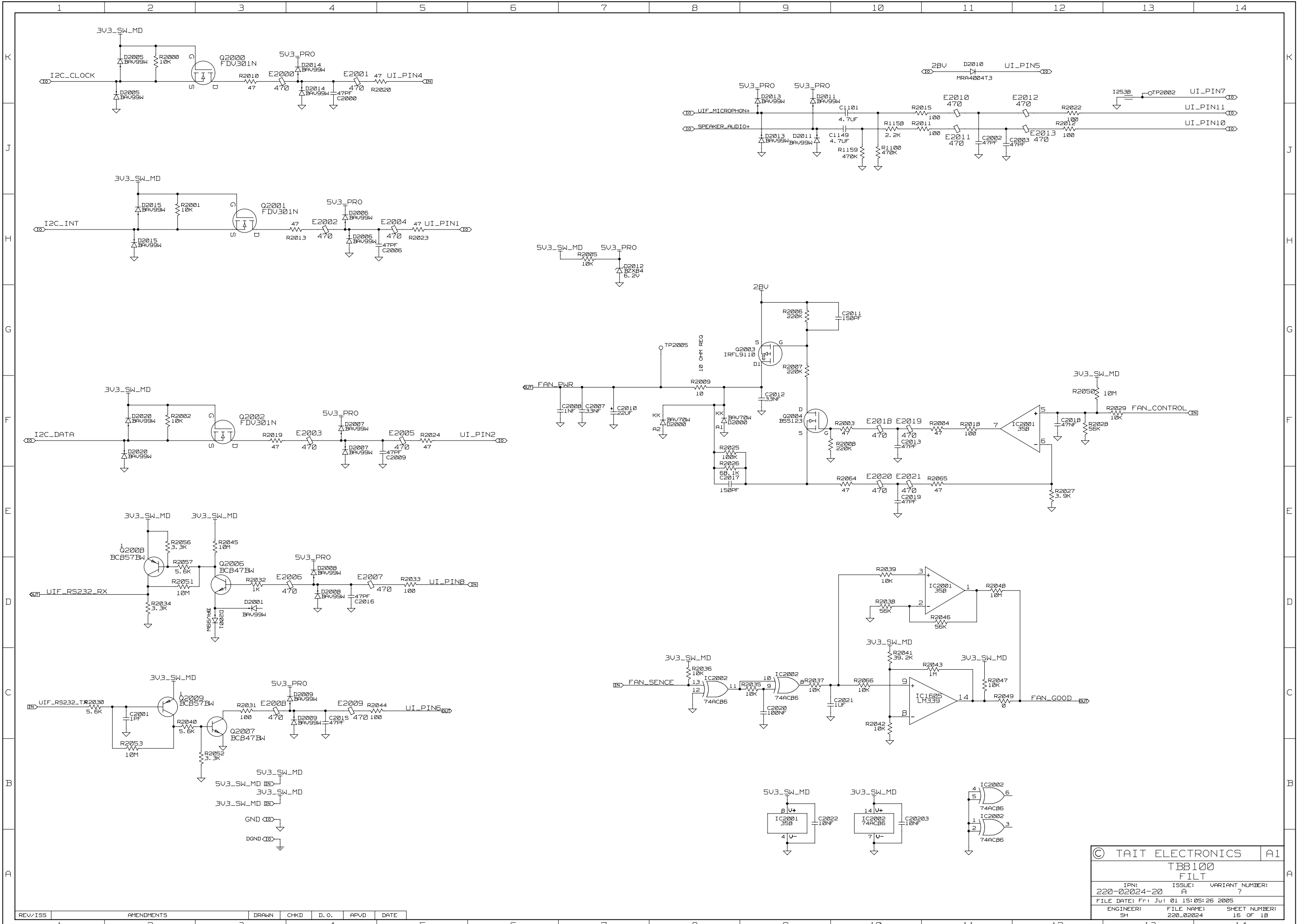
© TAIT ELECTRONICS		A1
TB8100 CONFIGURATION		
IPN: 220-02024-20	ISSUE: A	VARIANT NUMBER: ?
FILE DATE: Fri Jul 01 15:05:22 2005		
ENGINEER: SH	FILE NAME: 220_02024	SHEET NUMBER: 14 OF 18

REV/ISS	AMENDMENTS	DRAWN	CHKD	D.O.	APVD	DATE
1						



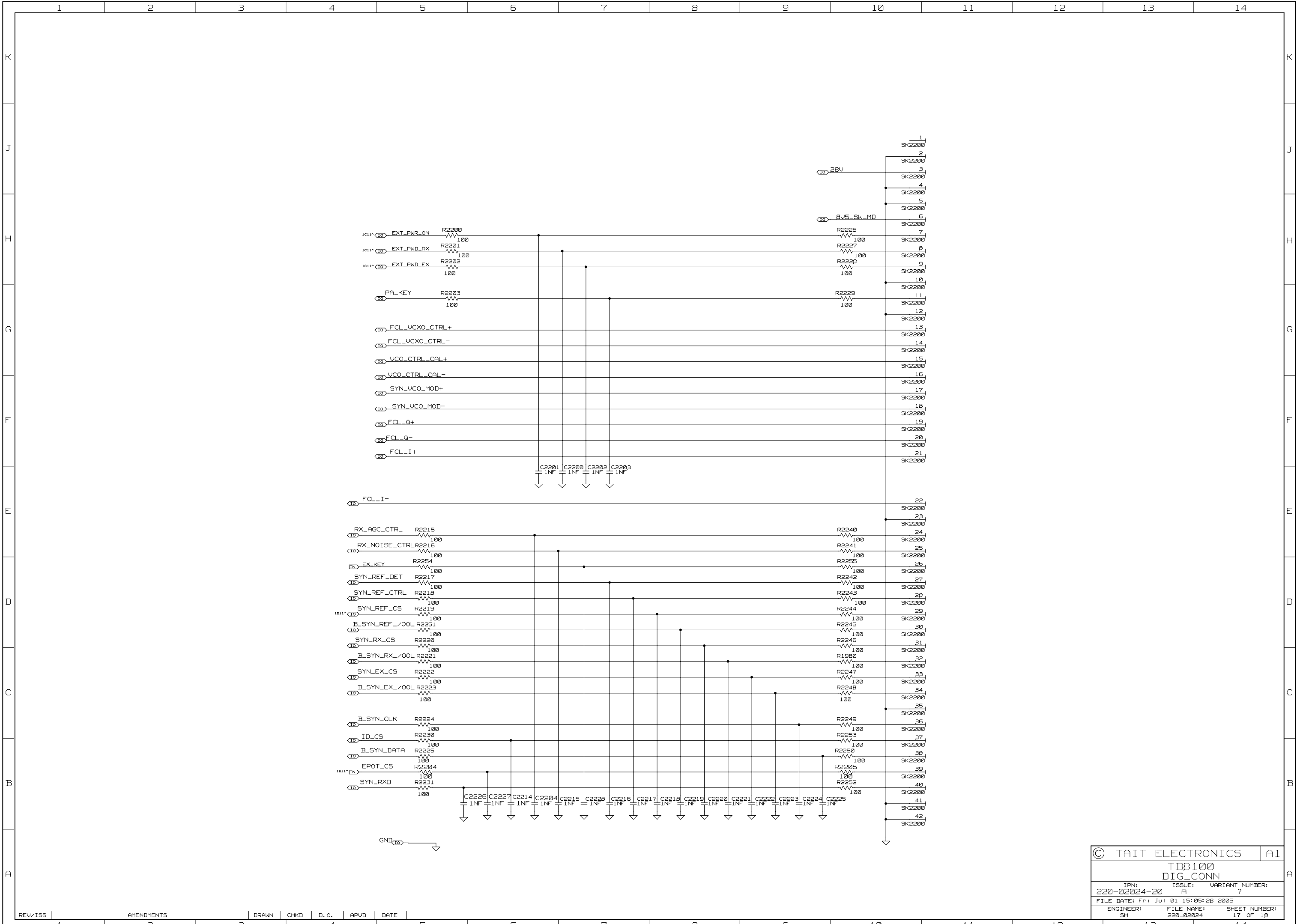
© TAIT ELECTRONICS		A1
TB8100 SYSTEM CONNECTOR		
IPN: 220-02024-20	ISSUE: A	VARIANT NUMBER: ?
FILE DATE: Fri Jul 01 15:05:24 2005		
ENGINEER: SH	FILE NAME: 220_02024	SHEET NUMBER: 15 OF 18

REV/ISS	AMENDMENTS	DRAWN	CHKD	D.O.	APVD	DATE
1						



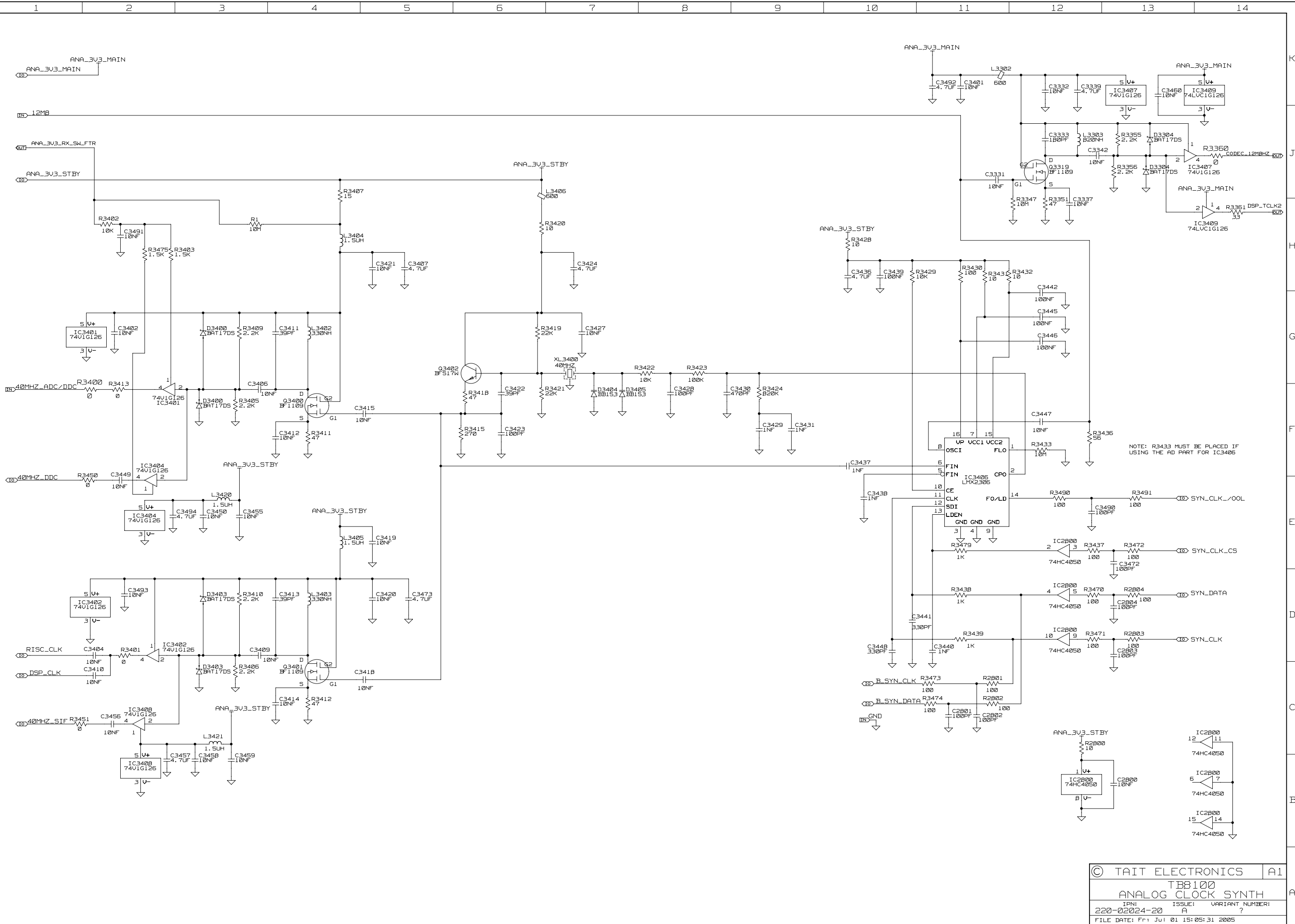
© TAIT ELECTRONICS		A1
TB8100		
FILT		
IPN:	ISSUE:	VARIANT NUMBER:
220-02024-20	A	?
FILE DATE:	Fri Jul 01 15:05:26 2005	
ENGINEER:	FILE NAME:	SHEET NUMBER:
SH	220_02024	16 OF 18

REV/ISS	AMENDMENTS	DRAWN	CHKD	D.O.	APVD	DATE
1						



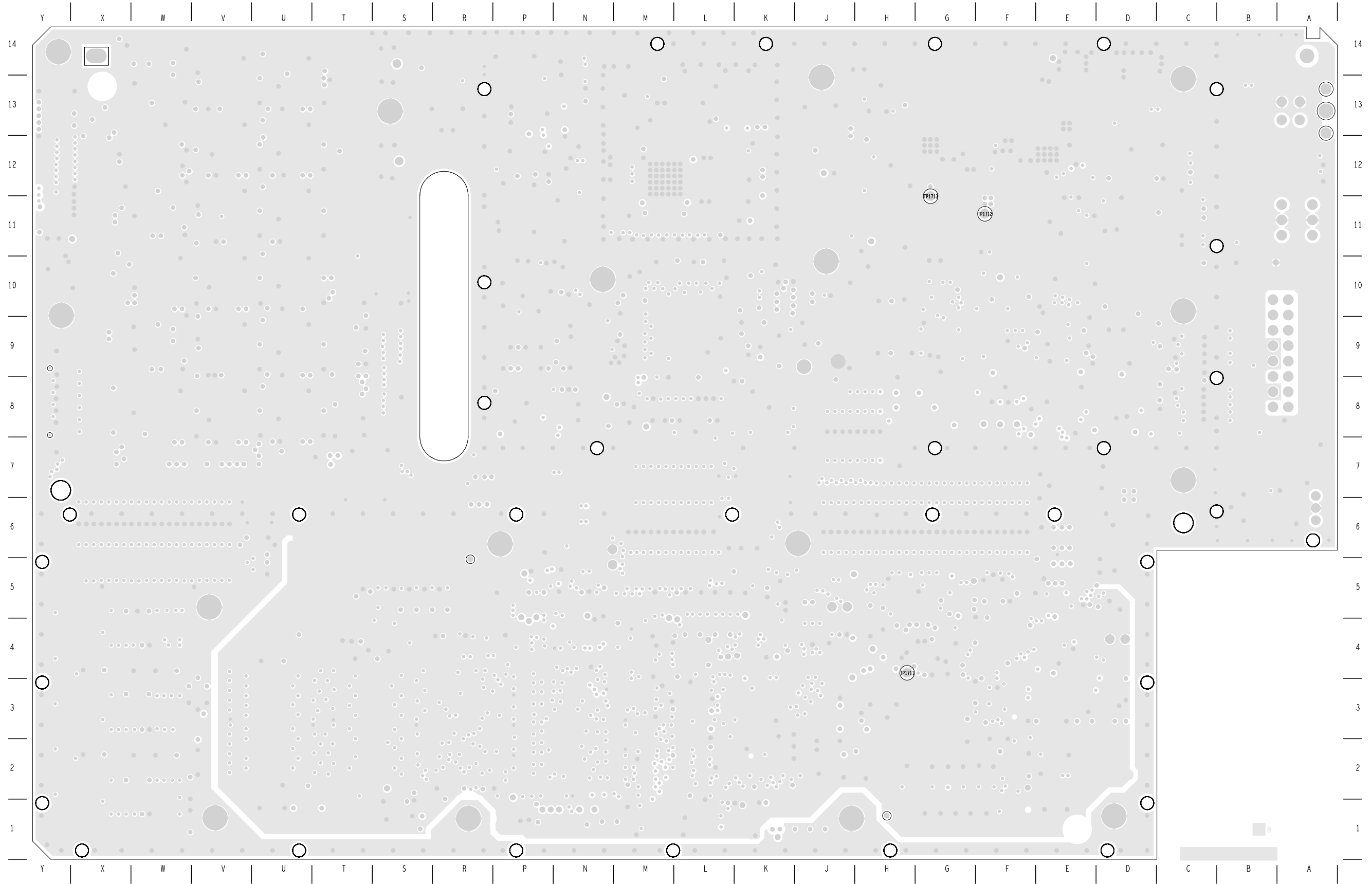
© TAIT ELECTRONICS		A1
TB8100 DIG_CONN		
IPN: 220-02024-20	ISSUE: A	VARIANT NUMBER: ?
FILE DATE: Fri Jul 01 15:05:28 2005		
ENGINEER: SH	FILE NAME: 220_02024	SHEET NUMBER: 17 OF 18

REV/ISS	AMENDMENTS	DRAWN	CHKD	D. O.	APVD	DATE
1						



© TAIT ELECTRONICS		A1
TB8100		
ANALOG CLOCK SYNTH		
IPN: 220-02024-20	ISSUE: A	VARIANT NUMBER: ?
FILE DATE: Fri Jul 01 15:05:31 2005		
ENGINEER: SH	FILE NAME: 220_02024	SHEET NUMBER: 1B OF 1B

REV/ISS	AMENDMENTS	DRAWN	CHKD	D.O.	APVD	DATE
1						
2						
3						
4						
5						
6						
7						
8						
9						
10						
11						
12						
13						
14						



TAIT ELECTRONICS	IPN: 220-02024-20	ISS: A	DATE: 9Jun05	SCALE: NTS
TB8100 Digital Reciter LAYOUT-SECONDARY-SIDE				